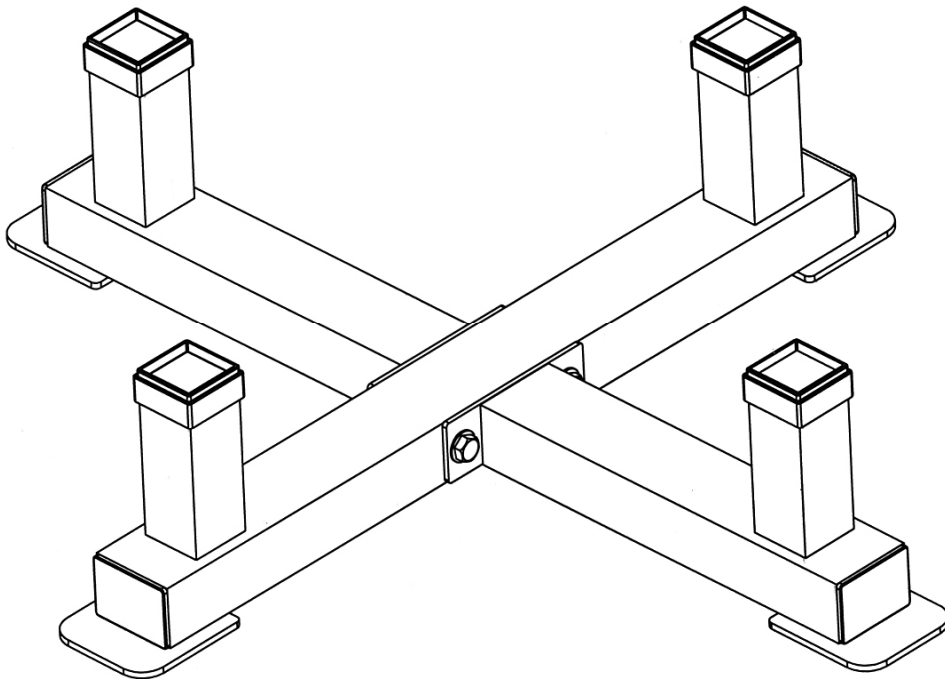




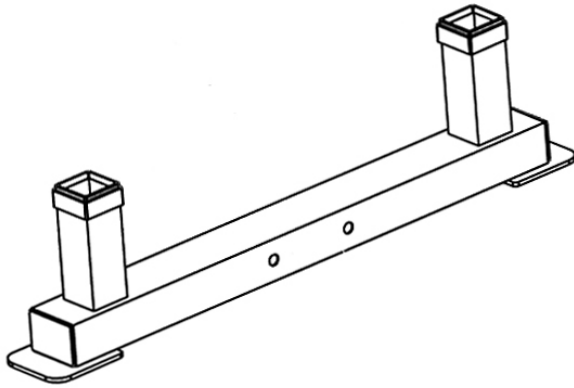
**MARCY PRO
ACCESSORY STAND
PM-60**



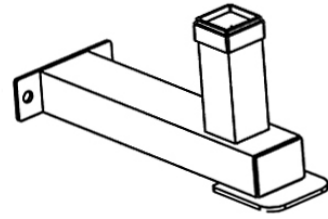
IMPORTANT: Please read the Important Assembly Information in the Owner's manual before assembling this equipment.

Assembly Manual

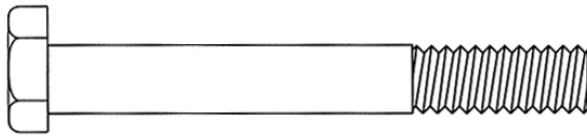
120629



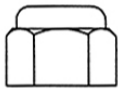
① × 1



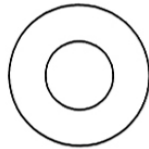
② × 2



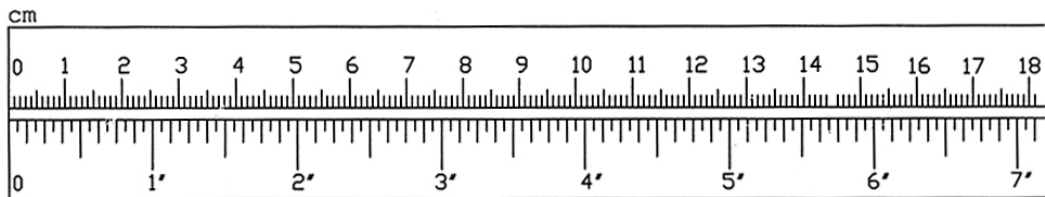
⑤ × 2

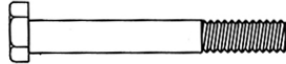

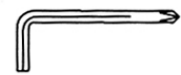




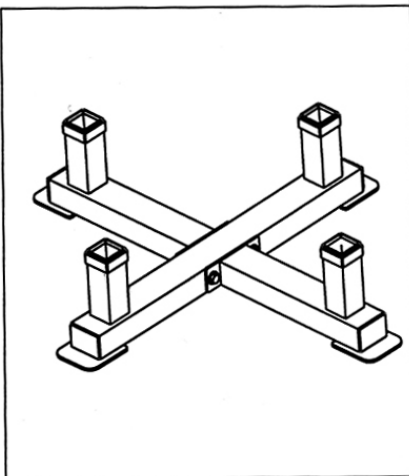
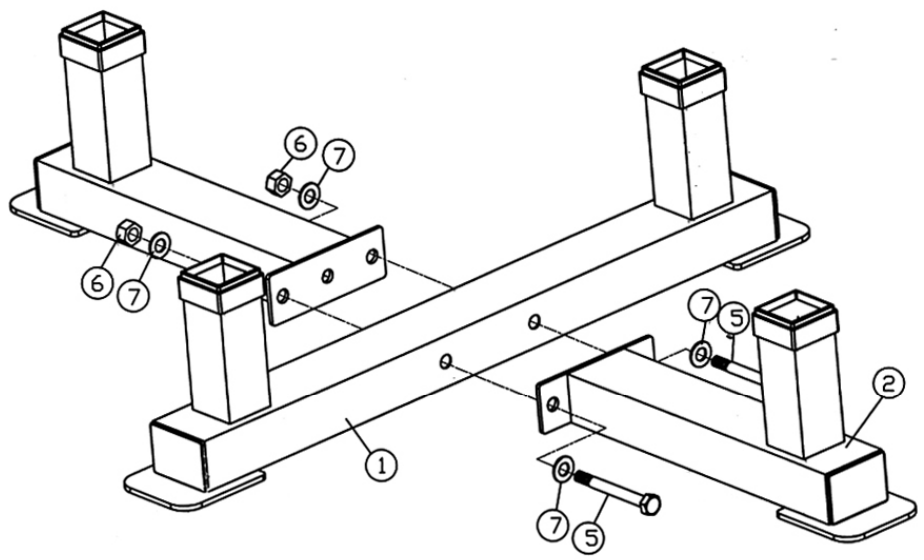
⑥ × 2



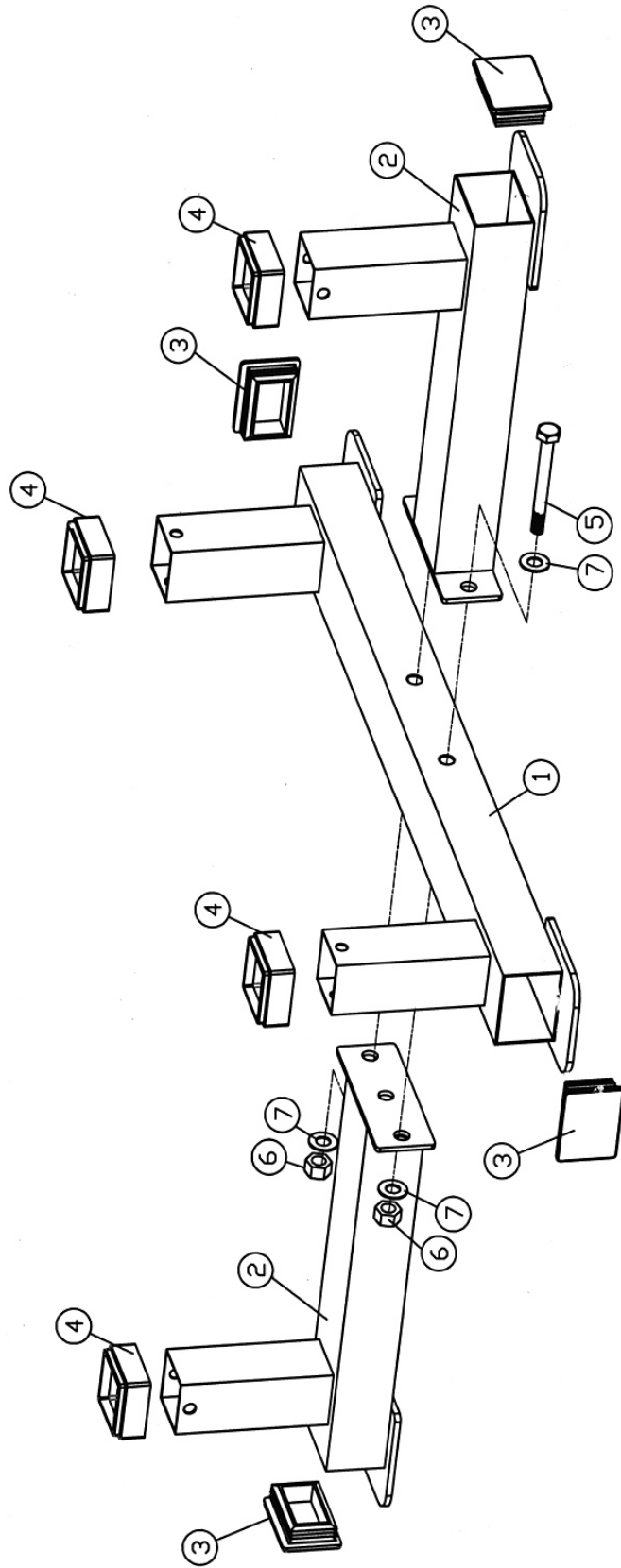
⑦ × 4



⑤		M12 x 3 $\frac{3}{4}$ "	2	 
⑥		M12	2	
⑦		∅ 1"	4	



1



IMPEX[®] INC.

2801 S. Towne Ave., Pomona, CA 91766
Tel: (800) 999-8899 Fax: (626) 961-9966

www.impex-fitness.com
info@impex-fitness.com